



ALBAYRAK

DEMİR ÇELİK

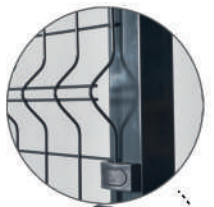


PANEL FENCE & ACCESSORIES

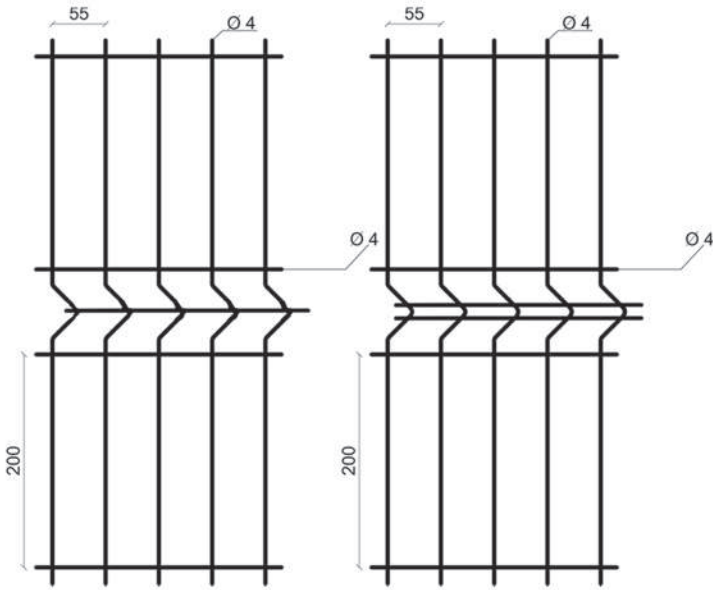
albesson[®]

SINGLE PANEL FENCE & TECHNICAL DIMENSIONS

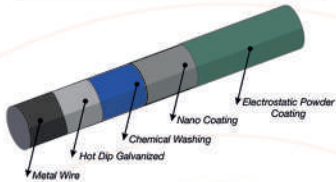
Single Panel Fence produced by Albayrak Demir Çelik under the ALBEON brand; Application of electrostatic powder paint on galvanized wire ensures high quality and long-lasting panel fences. Albeon brand single panel fences provide easy installation with fence posts produced in accordance with standards.



Wire Dimensions



Electrostatic Powder Painting



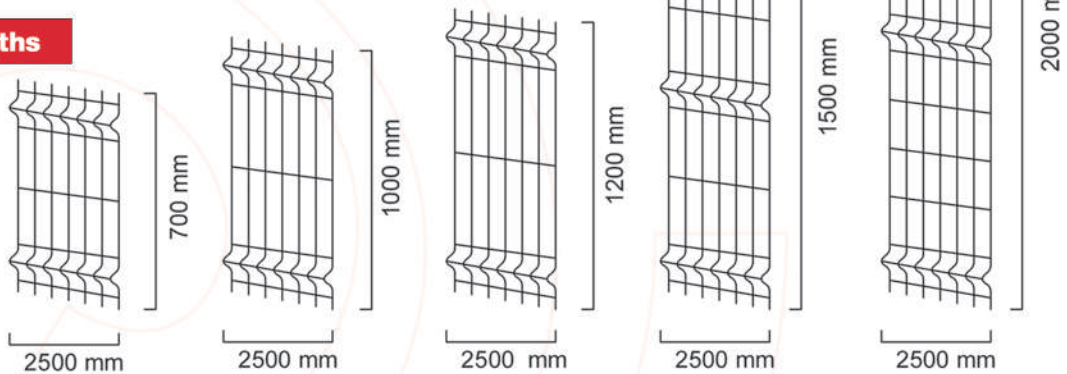
Colour

Ral 7016 & Ral 6005

(Can be painted in desired Ral Color.)



Panel Lengths



Single Panel Fence Dimensions

Height (mm)	Width (mm)	Horizontal Wire Diameter (mm)	Vertical Wire Diameter (mm)	Mesh Size (mm)	Vertical Wire Quantity	Number Of Curves	Curve and Wire Quantity	Colour
700	2500	4,00 mm ± %5	4,00 mm ± %5	50 x150	51	2	Single or double as per customer's request It is done as.	RAL 7016 & RAL 6005 (Can be painted in desired Ral Color)
1000				55 x150	46	2	Single or double as per customer's request It is done as.	RAL 7016 & RAL 6005 (Can be painted in desired Ral Color)
1200				60 x150	43	3	Single or double as per customer's request It is done as.	RAL 7016 & RAL 6005 (Can be painted in desired Ral Color)
1500				61 x150	42	3	Single or double as per customer's request It is done as.	RAL 7016 & RAL 6005 (Can be painted in desired Ral Color)
2000					4	Single or double as per customer's request It is done as.	RAL 7016 & RAL 6005 (Can be painted in desired Ral Color)	

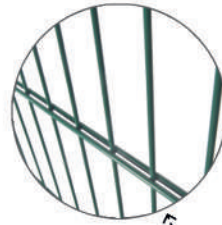
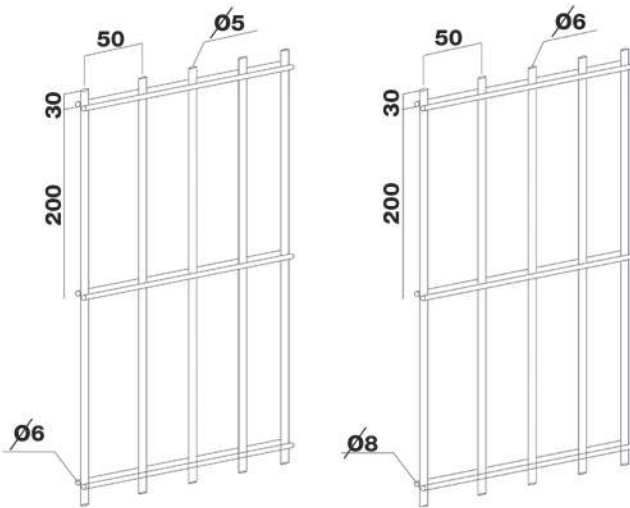
DOUBLE PANEL FENCE & TECHNICAL DIMENSIONS

The feature that distinguishes the Albeon brand Double panel fence system from other panel fence systems is that it is produced from double and thick diameter galvanized wires. It is used in areas where security is important.

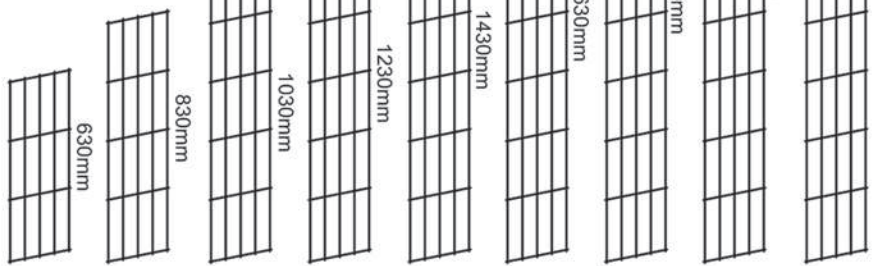
USAGE AREAS

Parking lots, Factory gardens and production areas, Sports fields, Highway edges, site surroundings, Ports.

Wire Dimensions



Panel Lengths



Double Panel Technical Specifications

Height (mm)	Width (mm)	Horizontal Wire Diameter (mm)	Vertical Wire Diameter (mm)	Mesh Size (mm)	Colour
630	2500	2 x 6 mm ± %5	5,00 mm ± %5	50 x 200	RAL 7016 & RAL 6005 (Can be painted in desired Ral Color)
830					RAL 7016 & RAL 6005 (Can be painted in desired Ral Color)
1030					RAL 7016 & RAL 6005 (Can be painted in desired Ral Color)
1230					RAL 7016 & RAL 6005 (Can be painted in desired Ral Color)
1430					RAL 7016 & RAL 6005 (Can be painted in desired Ral Color)
1630					RAL 7016 & RAL 6005 (Can be painted in desired Ral Color)
1830					RAL 7016 & RAL 6005 (Can be painted in desired Ral Color)
2030	2 x 8 mm ± %5	6,00 mm ± %5			RAL 7016 & RAL 6005 (Can be painted in desired Ral Color)
2230					RAL 7016 & RAL 6005 (Can be painted in desired Ral Color)
2430					RAL 7016 & RAL 6005 (Can be painted in desired Ral Color)
					RAL 7016 & RAL 6005 (Can be painted in desired Ral Color)

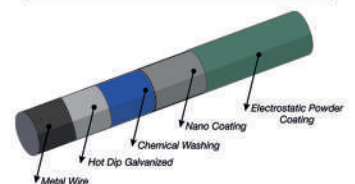
Colour

Ral 7016 & Ral 6005

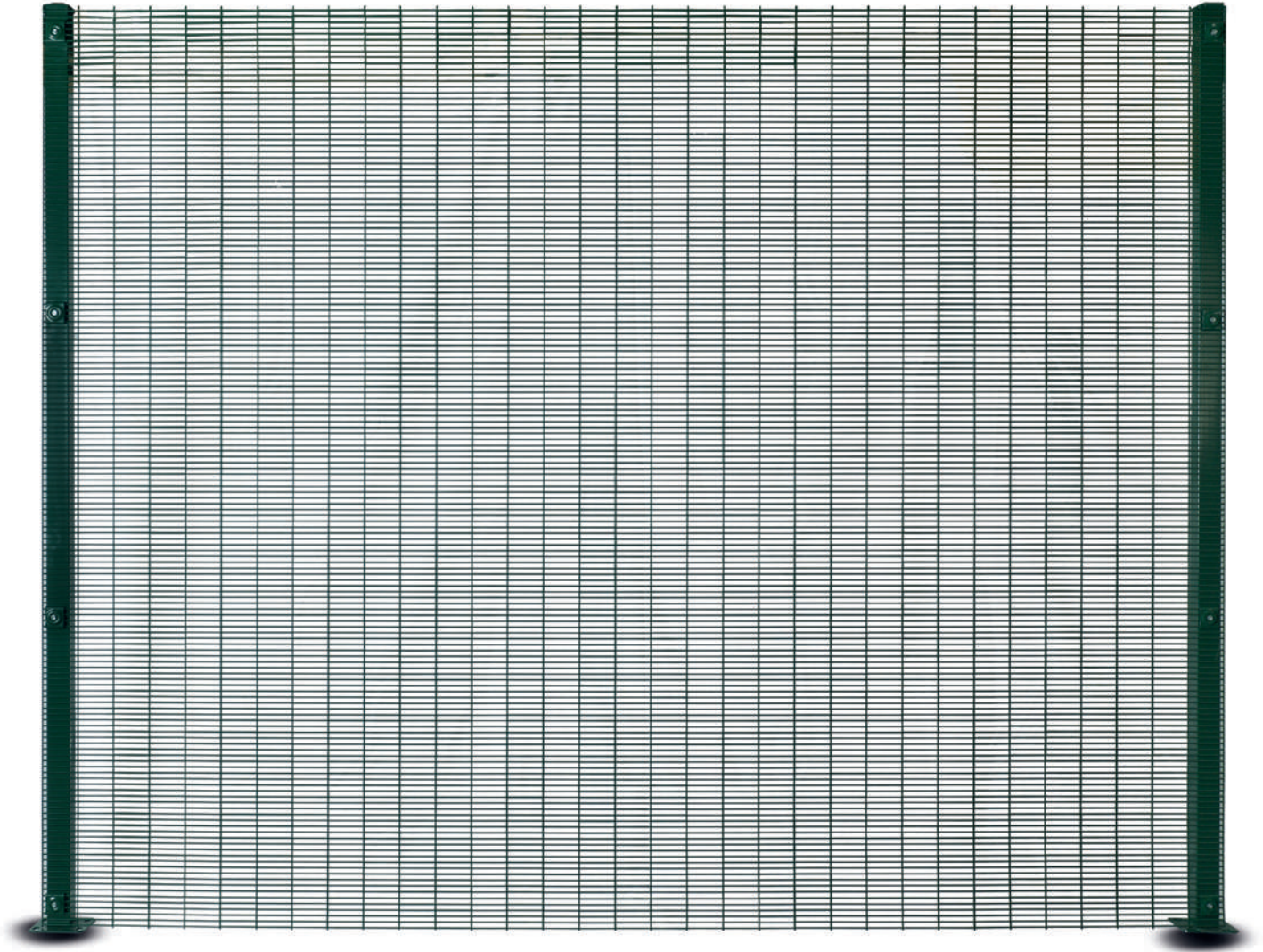
(Can be painted in desired Ral Color.)



Electrostatic Powder Painting

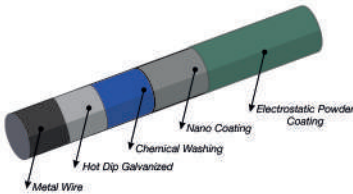


HIGH SECURITY PANEL FENCE



Albeon brand high security panel fences are used in areas where high security is needed.

Electrostatic Powder Painting



Colour

Ral 7016 & Ral 6005

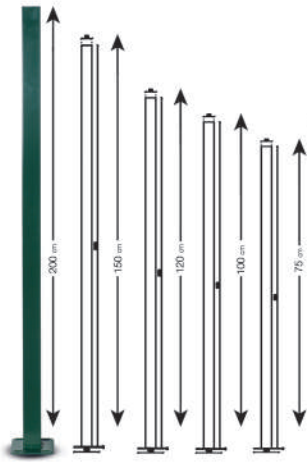
(Can be painted in desired Ral Color.)



High Security Panel Fence Technical Information

Material Standarts	Height (mm)	Width (mm)	Wire Diameter (mm)	Hole/Mesh Size (mm)	Colour	Coating
TSE-EN 10218-2	2000	2500	4,00 ± %5	12,7 x 76,2	RAL 7016 & RAL 6005 (Can be painted in desired Ral Color.)	Galvanized Pole Powder Coating
10244-2 D Class	2500				RAL 7016 & RAL 6005 (Can be painted in desired Ral Color.)	Galvanized Pole Powder Coating
400-650 N/mm2	3000				RAL 7016 & RAL 6005 (Can be painted in desired Ral Color.)	Galvanized Pole Powder Coating

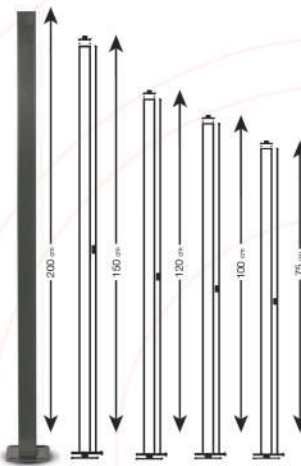
SINGLE PANEL FENCE ACCESSORIES



Single Panel Fence Pole Technical Information

Height (mm)	Pole Dimension (mm)	Flange Dimension (mm)	Flange With Flange Height (mm)	Built-in Post Pole Height (mm)	Coating
750	Galvanized 50x50x1,5 40x60x1,5 60x60x1,5	120 x 120 x 4	750	1250	Galvanized Pole Powder Coating
1000			1000	1500	Galvanized Pole Powder Coating
1200			1200	1700	Galvanized Pole Powder Coating
1500			1500	2000	Galvanized Pole Powder Coating
2000			2000	2500	Galvanized Pole Powder Coating

DOUBLE PANEL FENCE ACCESSORIES



Double Panel Fence Pole Technical Information

Height (mm)	Pole Dimension (mm)	Flange Dimension (mm)	Pole With Flange Height (mm)	Built-in Post Pole Height (mm)	Coating
750	Galvanized 50x50x1,5 40x60x1,5 60x60x1,5	120 x 120 x 4	750	1250	Galvanized Pole Powder Coated
1000			1000	1500	Galvanized Pole Powder Coated
1200			1200	1700	Galvanized Pole Powder Coated
1500			1500	2000	Galvanized Pole Powder Coated
2000			2000	2500	Galvanized Pole Powder Coated

**SAMSUN FACTORY**

A. OSB, Uçköprü Mah. Uçköprü Sokak
1.Cadde No:10 Çarşamba/Samsun

T. +90 362 238 06 93
E. info@albayrakdemircelik.com

SAMSUN HEADQUARTER

A. 5055. Sk. No:1 Körfez 55270
Atakum/Samsun

T. +90 362 437 33 23
E. info@albayrakdemircelik.com

SAMSUN BRANCH OFFICE

A. Eğercili Mah. Atatürk Bulv.
No:108 Çınarlık Çarşamba/Samsun

T. +90 370 415 15 81
E. info@albayrakdemircelik.com

İZMİR BRANCH OFFICE

A. Kazım Paşa Mah. Çanakkale Asfaltı Cad.
35660 Menemen/İzmir

T. +90 232 362 19 55
E. info@albayrakdemircelik.com

GEBZE BRANCH OFFICE

A. Akse Mh. 546.Sk. No:13
Çayırova/Kocaeli

T. +90 549 358 00 66
E. info@albayrakdemircelik.com

İSTANBUL BRANCH OFFICE

A. Akçaburgaz Mh. 117.Sk.
No:9 34522 Esenyurt/İstanbul

T. +90 212 823 55 33
E. info@albayrakdemircelik.com

KARABÜK BRANCH OFFICE

A. Bayır Mah. Menderes Cad.
Çebiöğlü Twin Towers Apt.No:2/607
Merkez/KARABÜK

T. +90 370 415 15 81
E. info@albayrakdemircelik.com



www.albayrakdemircelik.com



ENVIRONMENTALLY FRIENDLY PRODUCTION

Our Factory (Samsun / TURKEY)
55.400 m²

Total Production Capacity
329.400 Tons/Year

